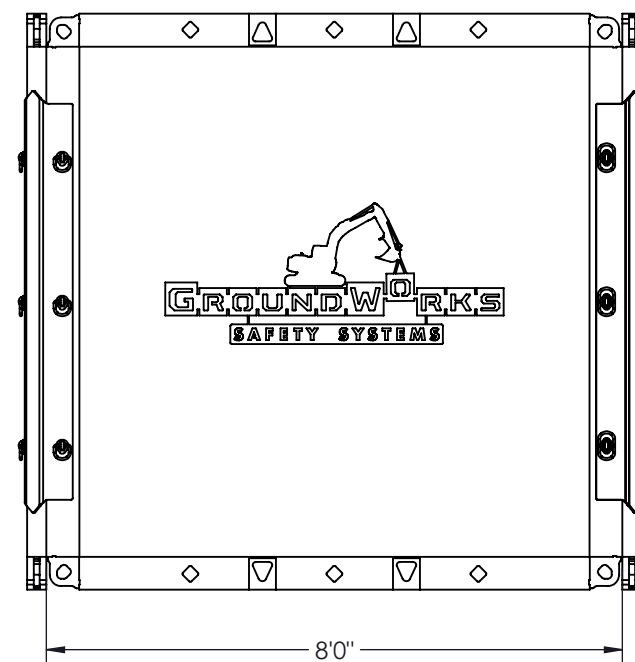
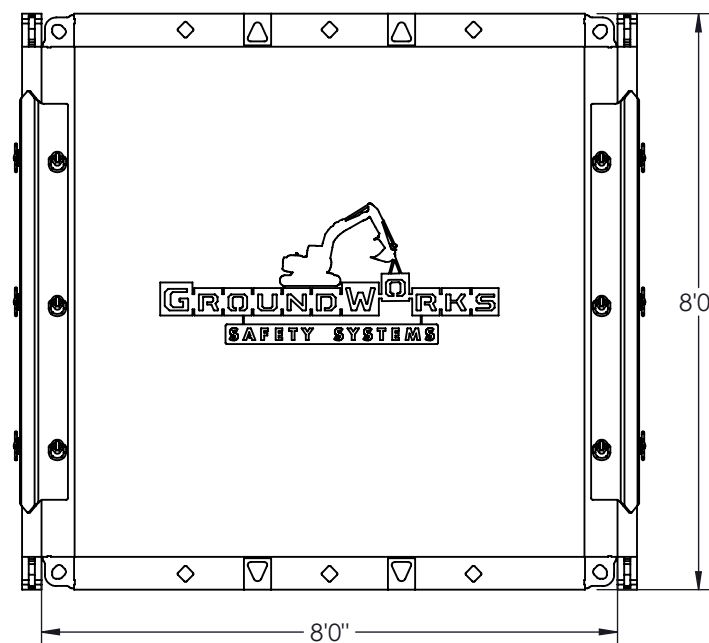
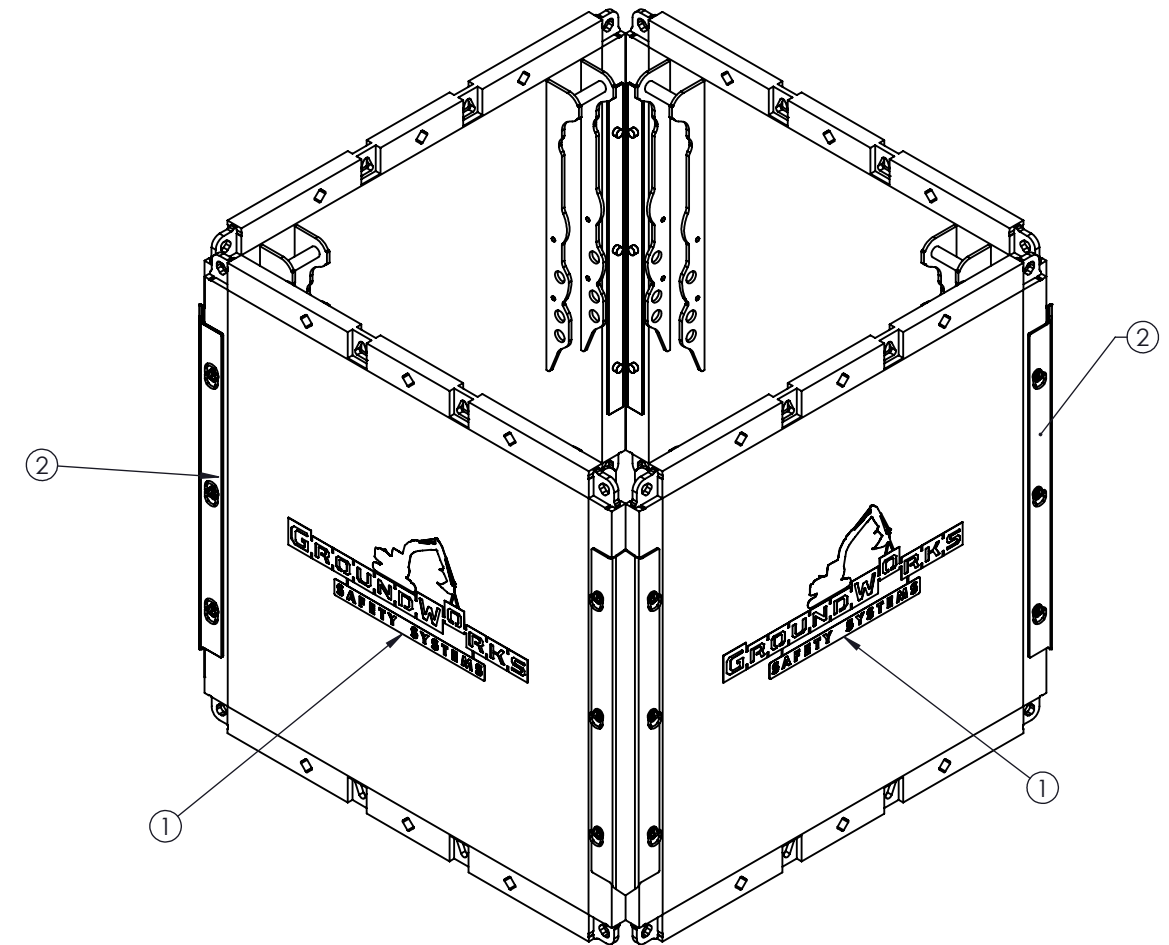
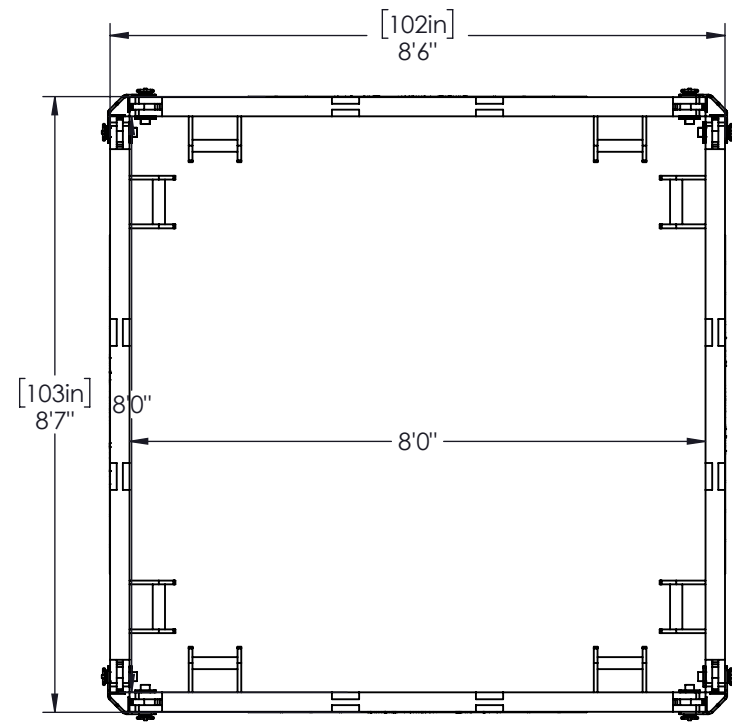



ITEM	Part Config	DESCRIPTION	Config	QTY.	Weight
1	MMB-0808	8'x8' Medium Duty Panel	MM 8X8	4	1124
2	AMB22-6	6-Foot Corner Connectors	6 PIN	8	330



NOTICE OF CONFIDENTIALITY:  
 INFORMATION INCLUDED IN THIS DRAWING  
 IS PROPRIETARY, AND IS NOT TO BE  
 REPRODUCED, DISTRIBUTED, OR DISCLOSED  
 EXCEPT AS SPECIALLY AUTHORIZED IN  
 WRITING BY GROUNDWORKS SAFETY  
 SYSTEMS INC.

SCALE: 1:32  
 DATE: 2026-03-30  
 WEIGHT: 7135 lbs


 4207 53rd Street Close, Innisfail,  
 Alberta, T4G 1P9  
 DWG TITLE:  
**MM 8LX8WX8D\_4S**